



H&R Spezialfedern GmbH & Co. KG, Elspcr Straße 36, 57368 Lennestadt
Telefon (02721) 92600 • Telefax (02721) 10708
www.h-r.com

Mounting instruction for ETS W216 - 29243-2

Indication

The colours e.g. red/blue, mean thick red with small blue. All mentioned sides are in driving direction.

Mounting

The module is mounted inside the car, under the feet of the front-seat passenger. It is fitted with Velcro strip on the ECU.

The butt connectors are connected to the plugs of the ECU.

Connect the leads as described in the figure and fit the butt connectors.

Test

- replace tape + cable combinder
- shrink the watertight butt connectors
- lift and lower the car with the switch inside the car
- check the connections

An axle alignment must not be done as the ride height is less even at low speed to have enough comfort. If an axle alignment has to be done due to other reasons it has to be done when the car is in original height. In this case the diagnostic plug has to be used.

Adjusting

The lowering can be adjusted for about. ± 20 mm. The hole with 2 points is for adjusting both axles, the hole with 1 point is for adjusting the rear axles. Carefully turn with a small screw driver. One turn clockwise means 2mm lower. After adjusting lift and lower the car with the suspension-menu to realize the adjustment.

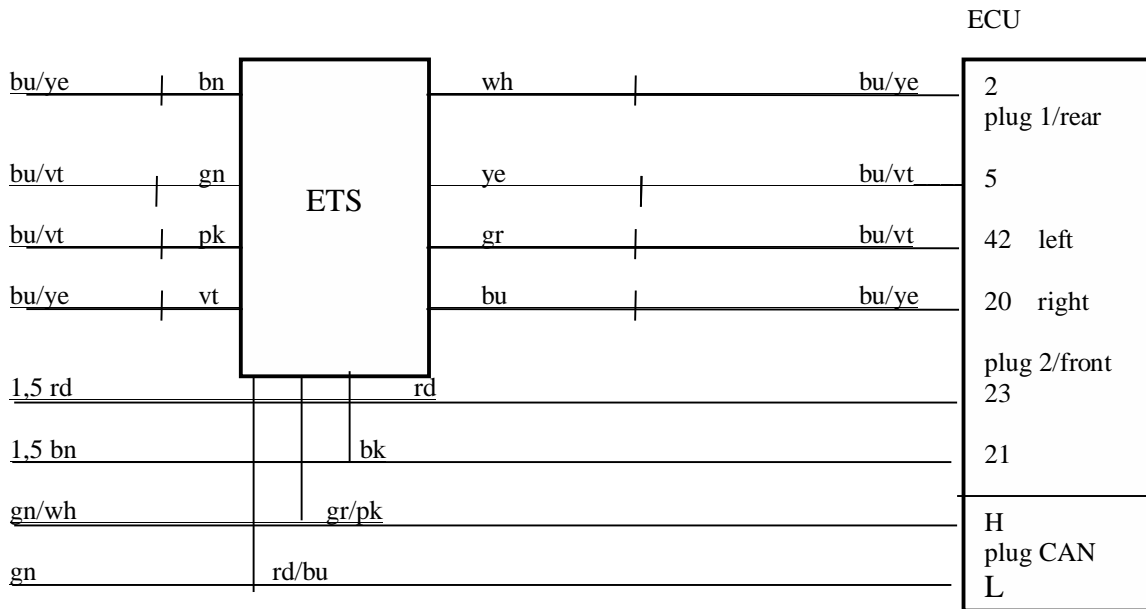
Handling problems

To solve any problems and to bring back the car into the standard level you use the adapter plug. The lowering module is replaced by the plug without changing the cables. The adapter plug is to be carried along in the vehicle.

If there is any doubt about the speed dependent lifting, e.g. because the suspension is too hard at high speed, this can be checked as follows: Behind the adjusting screw for the rear axis is a lamp. If it is flickering with ignition on, the speed-control is working.

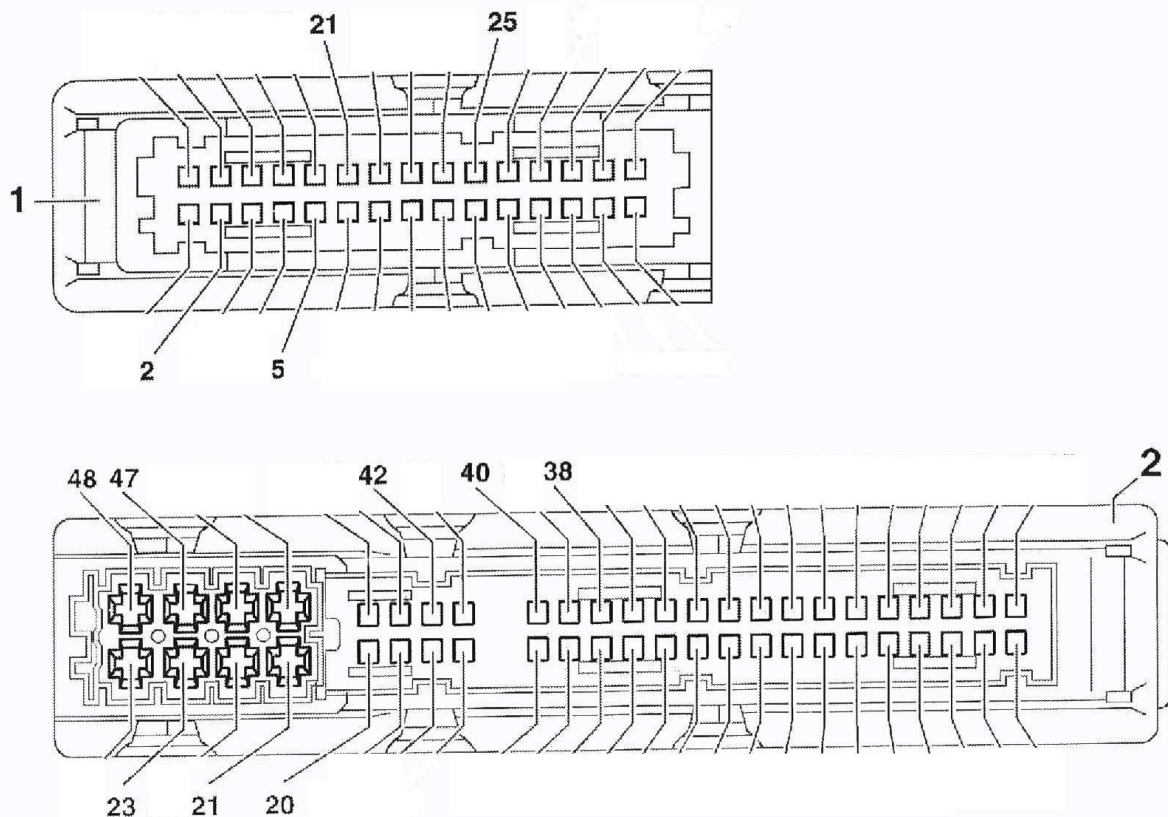
For solving problems it is necessary to note the height of the car (at every wheel) in original and lowered version.

W216



The CAN-plug is a 2-pole plug and sits between plug 1 and plug 2.

View on the ECU plugs from below.



The Cable colours

gn/green
bn/brown
vt/violet
wh/white
rd/red

gr/grey
pk/pink
ye/yellow
bu/blue
bk/black